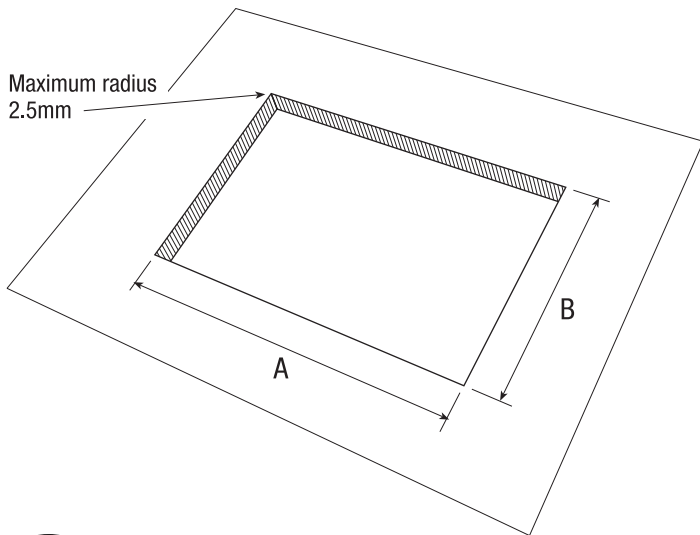


3 and 4 compartment

Floor Service Outlet Box

1 CUT HOLE IN FLOOR TILE

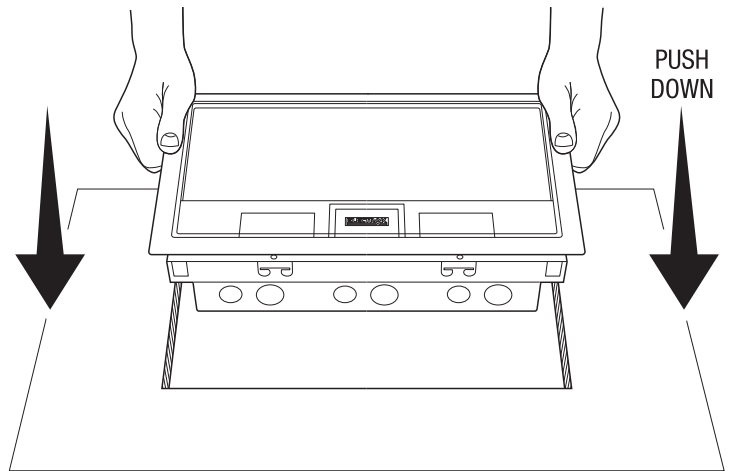
MINIMUM MAXIMUM
A = 340mm to 342mm
B = 203mm to 205mm



2

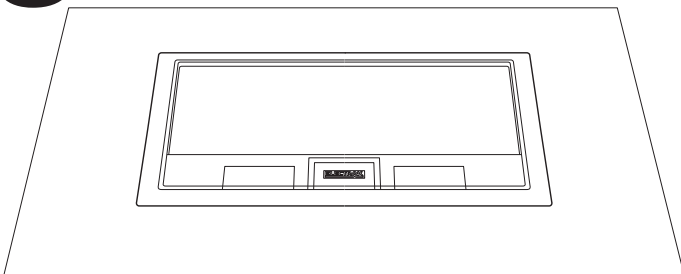
TO INSTALL BOX:

Cut the hole in the raised floor tile, lower the complete box into the aperture and push firmly down. This will engage the fixing latches.



3

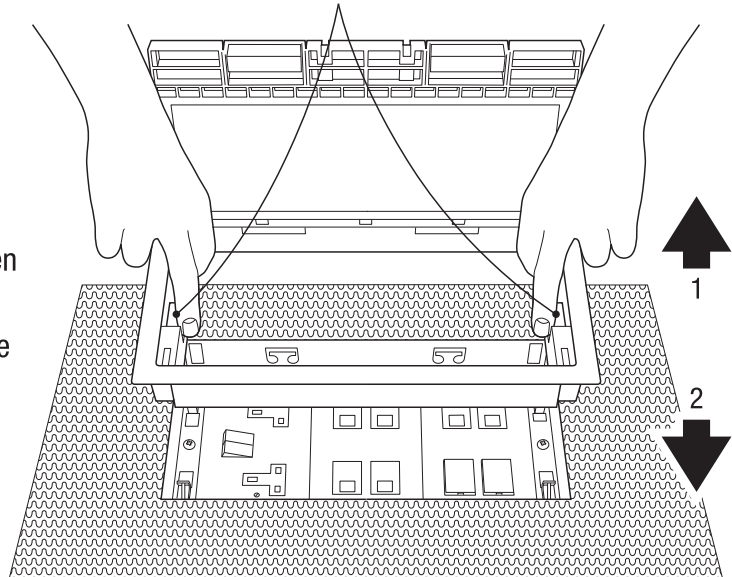
BOX IN PLACE



4

TO FIT CARPET:

1. Detach the lid and trim assembly by lifting the blue locking handles and lifting out. Cut and fit carpet

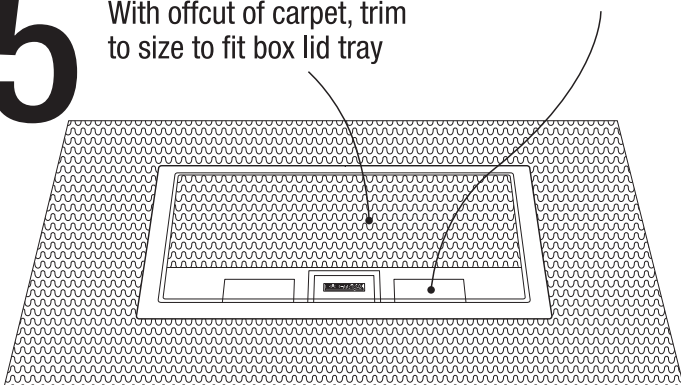


5

With offcut of carpet, trim to size to fit box lid tray

Lift cable outlets when cable exits from box

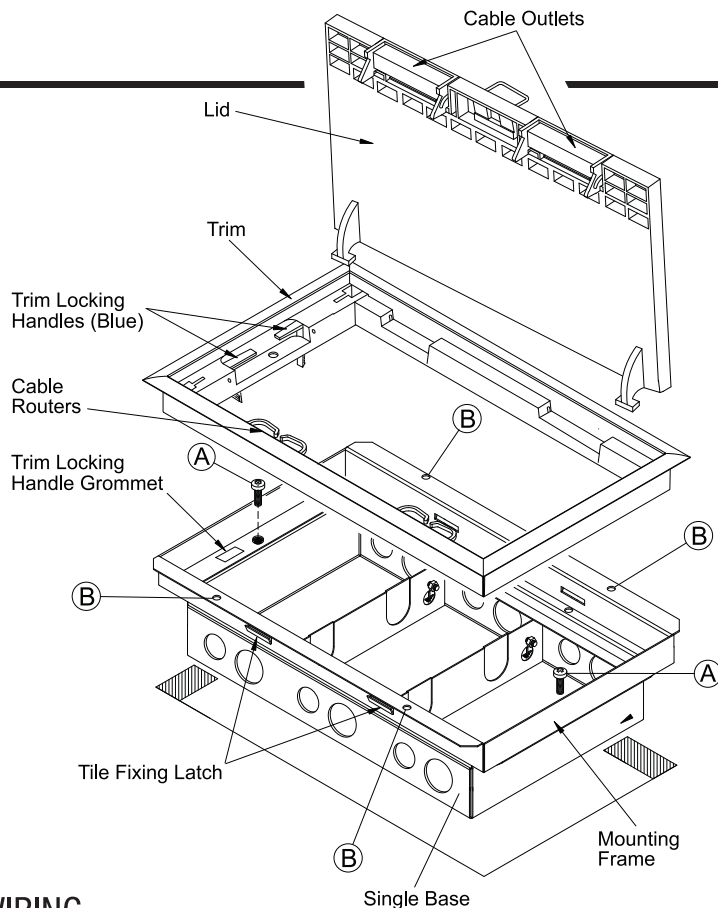
Close when not in use



2. Push the lid and trim assembly back into place

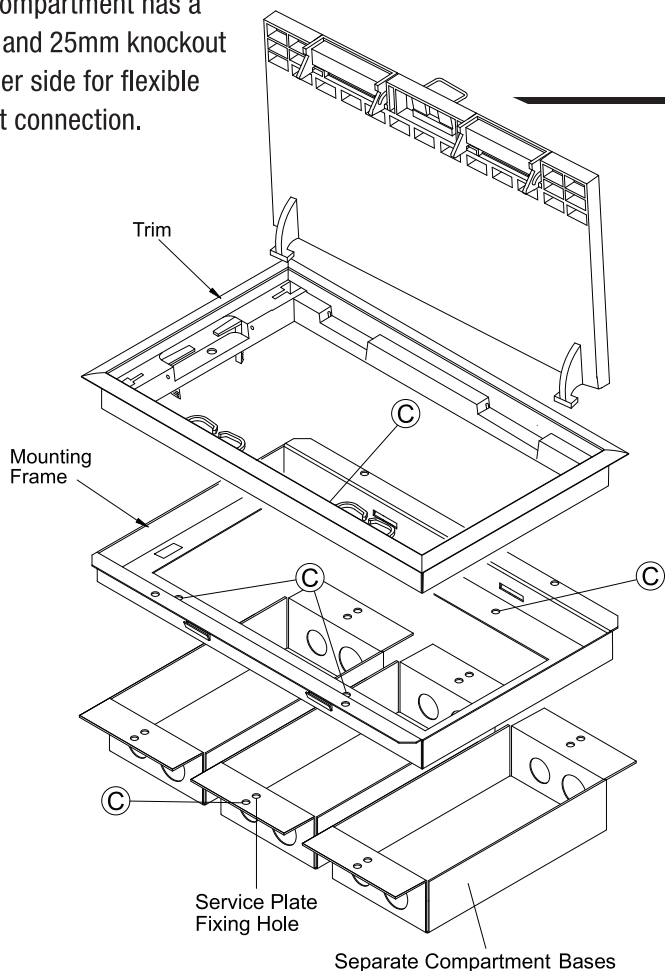
FOR SAFETY: All cables exiting boxes must be positioned into the cable routers on box trim and exit box via cable outlets. Lid and lid handle must always be placed in the closed positions.

3 compartment boxes shown



WIRING

Each compartment has a 20mm and 25mm knockout on either side for flexible conduit connection.



SINGLE BASE

Opening lid to an angle of 30° and lifting upwards will detach lid from trim. Inserting lid into the opposite side of trim will change direction of the lid.

Cable routers can also be removed and attached to opposite side of trim.

'A' single base can be detached from mounting frame by releasing screws (A). This enables the base to be connected to the services and left under floor tiles for protection until the carpet, lid and trim are fitted.

'B' box can be screw fitted to floor tile by using holes (B) in mounting frame. (If hole in tile is outside maximum tolerance. Use 4 x No.8 25mm self tapping screws).

SEPARATE COMPARTMENT BASES

Separate compartment bases are attached to mounting frame through holes (C). Bases can be connected to services and left under floor until carpet, lid and trim are fitted.

Warning: If tap off units are supplied from different phases, 400V ac exist within the floor box.

FOR INFORMATION ON OTHER FIXING METHODS, ADDITIONAL INSTALLATION SHEETS OR TECHNICAL HELP CONTACT ELECTRAX.

Tel: 01207 503400 | Fax: 01207 501799 | Email: sales@electrak.co.uk | Web: www.electrak.co.uk

Because of our policy of continuous improvement, Electrak reserve the right to change product specification without notice