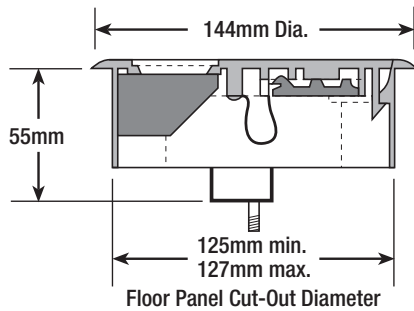


# Small Floor Grommet Installation Instructions

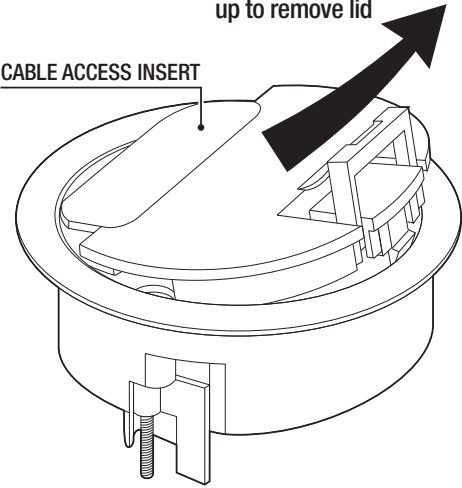
**SMALL QUICK FIT GROMMET - EG0010**



1

Lift handle and pull up to remove lid

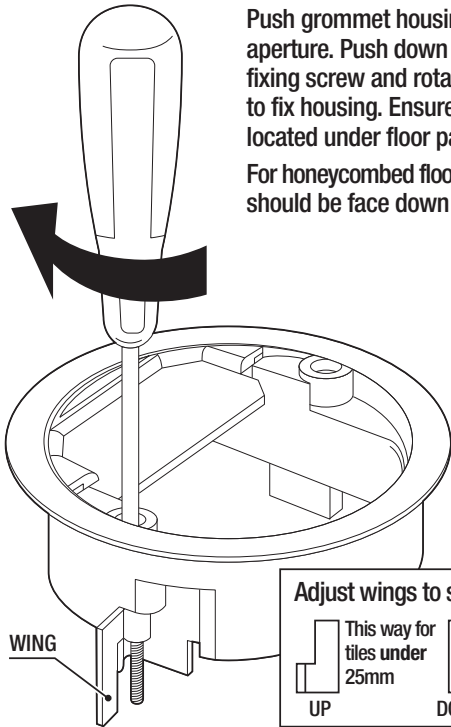
CABLE ACCESS INSERT



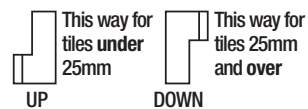
2

Push grommet housing into floor aperture. Push down spring loaded fixing screw and rotate quarter turn to fix housing. Ensure wings are located under floor panel

For honeycombed floor panels one wing should be face down and one up.



Adjust wings to suit floor depth

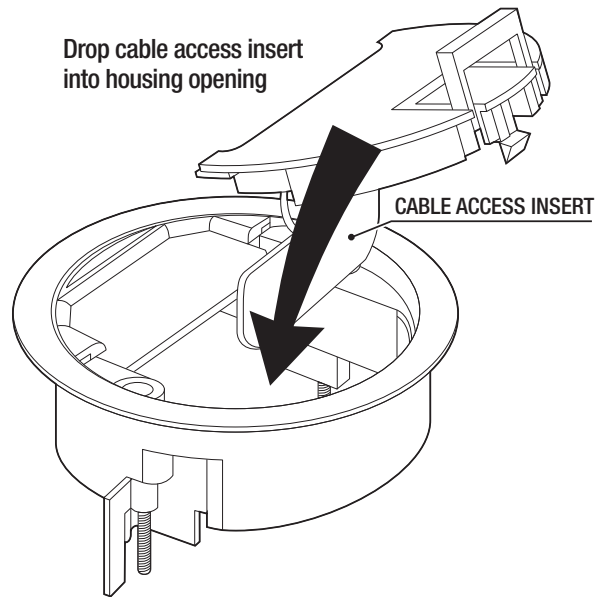


WING

3

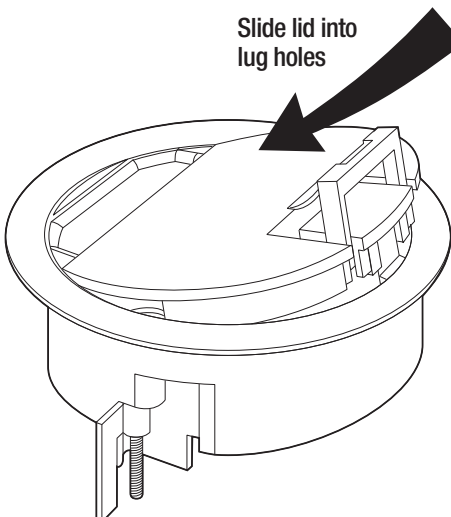
Drop cable access insert into housing opening

CABLE ACCESS INSERT



4

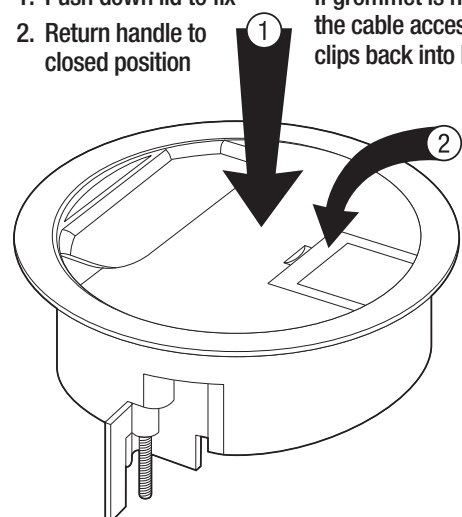
Slide lid into lug holes



5

1. Push down lid to fix  
2. Return handle to closed position

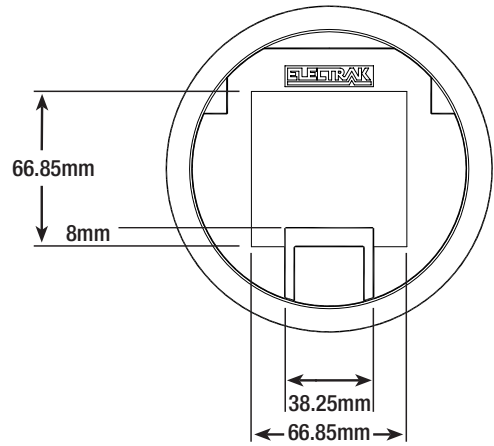
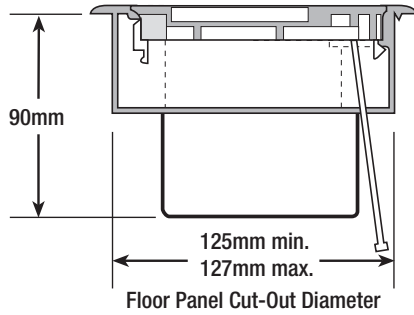
If grommet is not in use, the cable access insert clips back into lid aperture



# Cleaner's Floor Grommet Installation Instructions

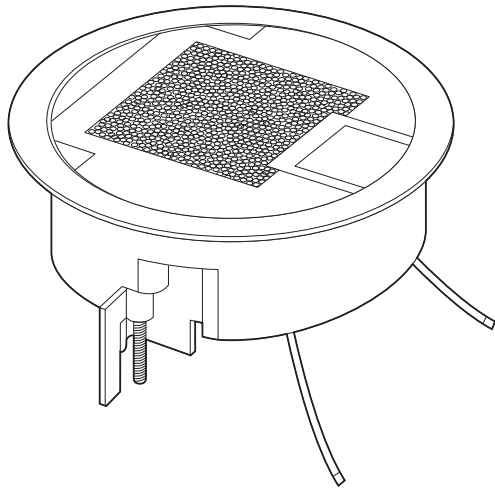


## CLEANERS GROMMET - EG0020



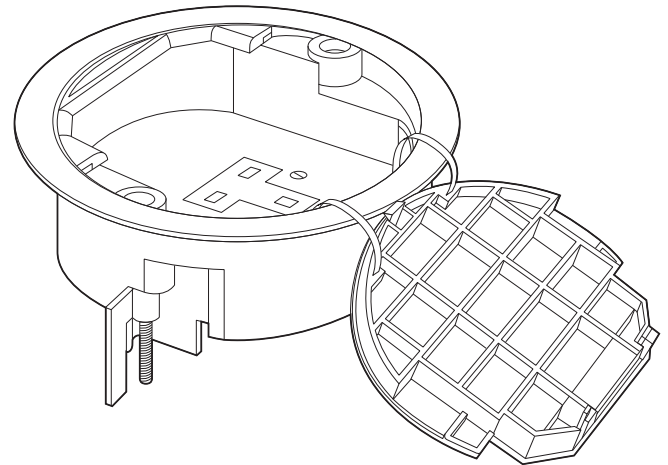
# 1

Follow installation instructions 1 & 2 over-leaf as standard grommet



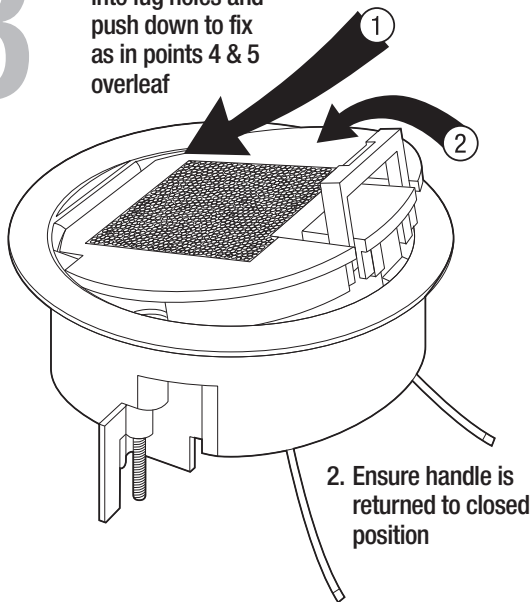
# 2

Cleaners access to single gang socket outlet. Lid must be closed after use and handle returned to closed position



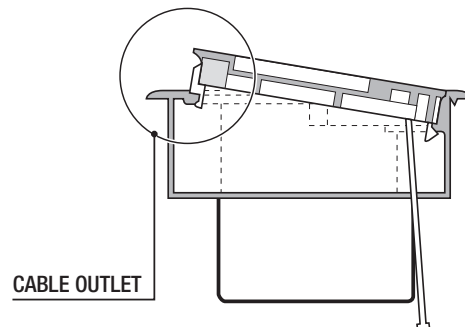
# 3

1. To insert lid, slide into lug holes and push down to fix as in points 4 & 5 overleaf



2. Ensure handle is returned to closed position

Cleaners grommet can be used as permanent power outlet by raising lid on angle of housing and pushing down handle end into fix position



FOR INFORMATION ON OTHER FIXING METHODS, ADDITIONAL INSTALLATION SHEETS OR TECHNICAL HELP CONTACT ELECTRAK.