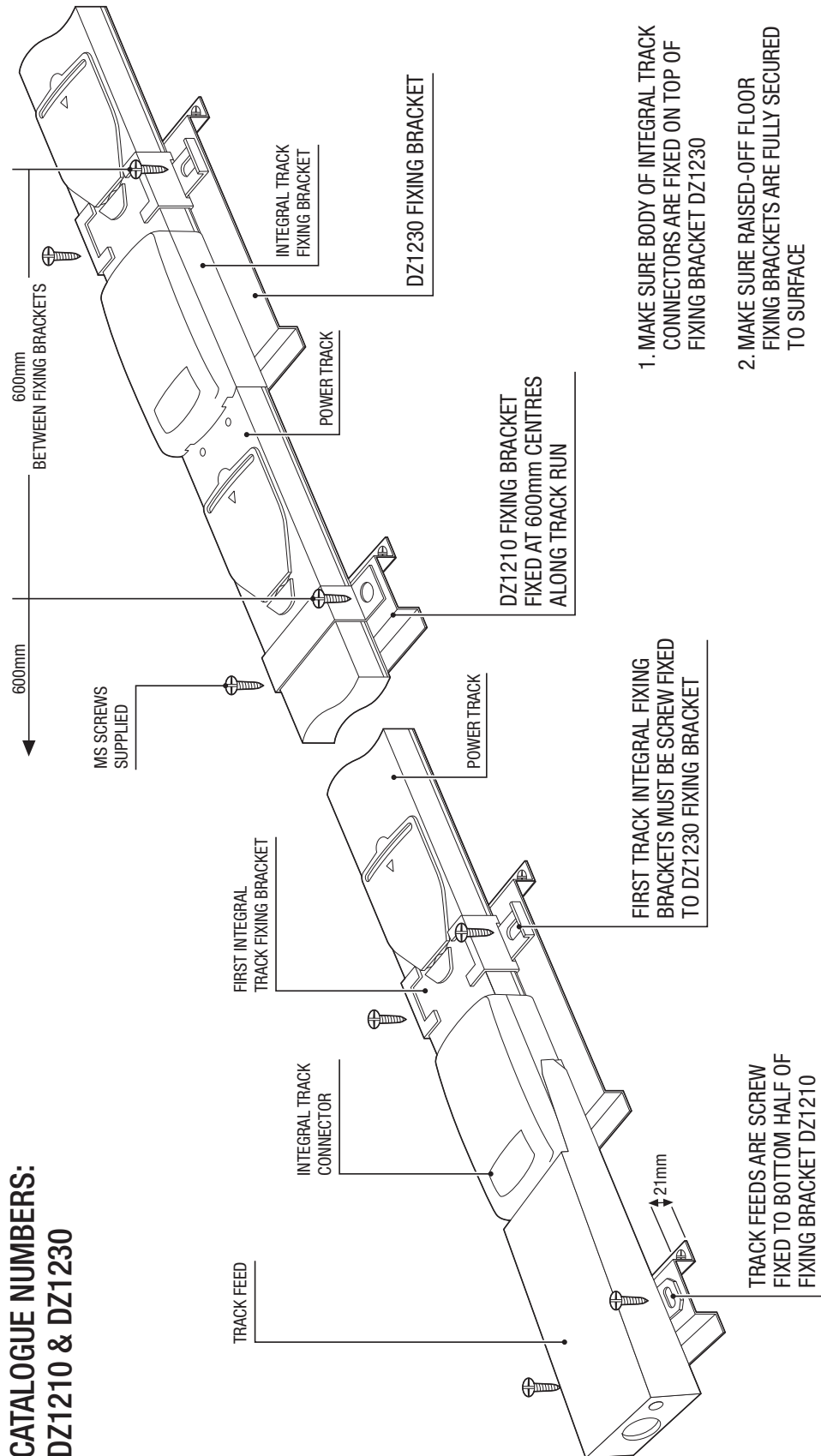
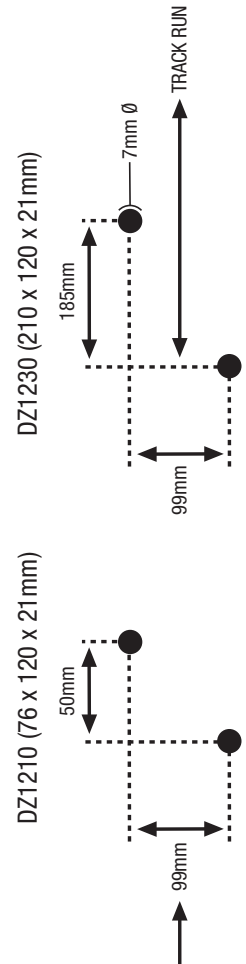


Installation Sheet B9



BRACKET FIXING DIMENSIONS TO SURFACE



FOR INFORMATION ON OTHER FIXING METHODS, ADDITIONAL INSTALLATION SHEETS OR TECHNICAL HELP CONTACT ELECTRAK.

Electrak
Tel: 01207 503400 | Fax: 01207 501799 | Email: sales@electrak.co.uk | Web: www.electrak.co.uk