

rotasoc[®]

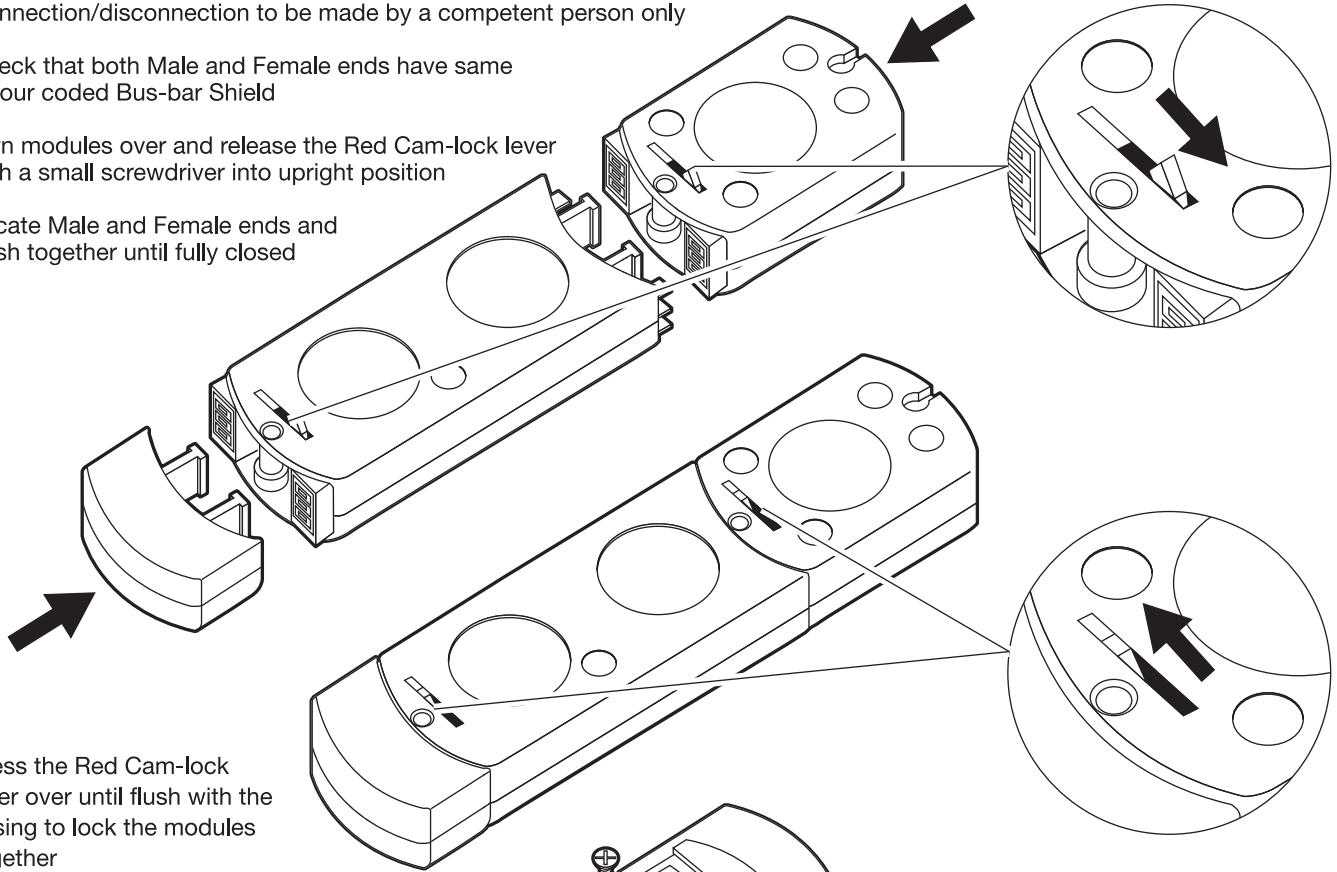
Installation Instructions

Issue 5
Part no. 449950

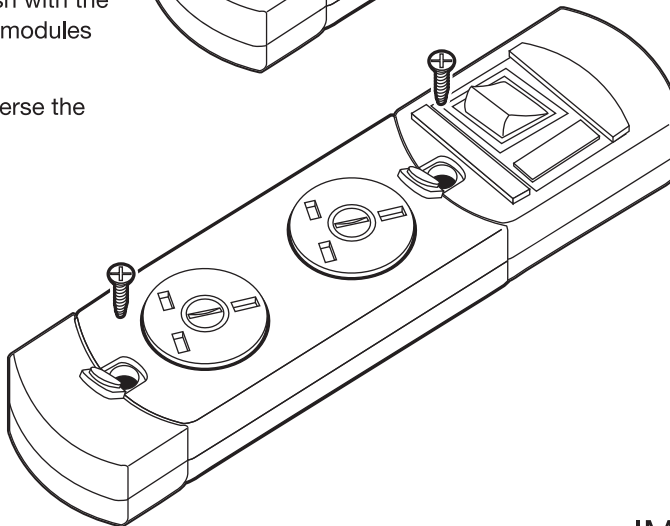
ELECTRAK[®]
www.electrak.co.uk

To connect and disconnect Rotasoc modules:-

1. Connection/disconnection to be made by a competent person only
2. Check that both Male and Female ends have same colour coded Bus-bar Shield
3. Turn modules over and release the Red Cam-lock lever with a small screwdriver into upright position
4. Locate Male and Female ends and push together until fully closed



5. Press the Red Cam-lock lever over until flush with the casing to lock the modules together
6. To disconnect, reverse the procedure

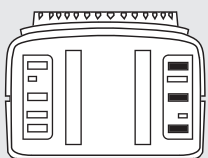


To fix modules to surface:-

1. Flip up all rubber Screw Cover Caps with flat blade screwdriver
2. Insert through all holes a No 8 pozi-pan screw or M4 bolt to required length
3. Tighten screw/bolt down to mounting surface
4. Push rubber Screw Cover Caps down

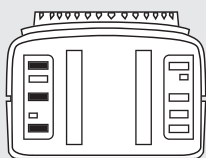
Coloured Busbar Shield System

Standard System



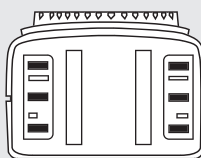
WHITE WHITE

Clean System



RED RED

Dual System



RED WHITE

When connecting modules together, ensure that the coloured bus-bar shields are colour matched and correctly aligned. Do not connect modules if shields are of different colours.

IMPORTANT WARNINGS

A. ISOLATION

Isolate the circuit supply from mains. Isolate circuit if connecting and disconnecting modules to live infeed.

B. INSTALLATION AND TESTING

The system should be installed, tested and maintained by a qualified electrician or competent person in accordance with BS7671:2008 (IEE Wiring Regulations) and BS6396 Electrical Equipment within Office Furniture.

C. PROTECTION

The circuit must be protected by a suitably rated fuse or circuit breaker in accordance with the above.

32A Rewirable Infeed

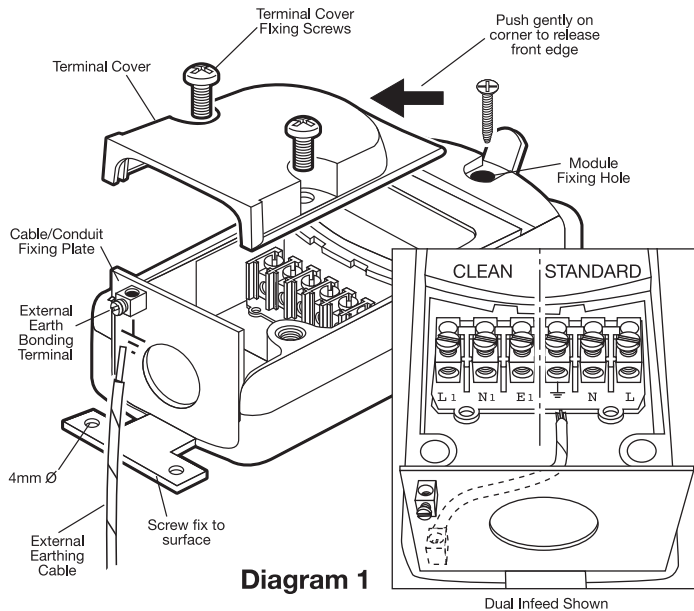
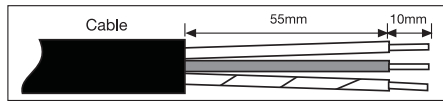


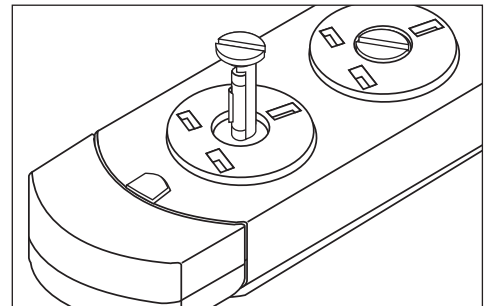
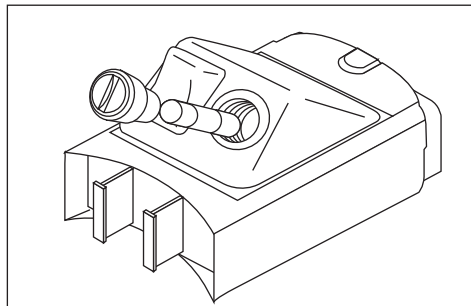
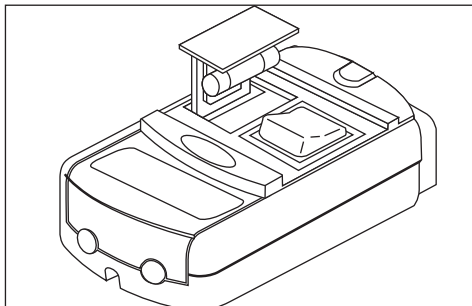
Diagram 3



To wire 32A module:-

1. Remove terminal cover by loosening fixing screws on either side of the Terminal Cover.
2. Cable or Conduit should be fixed to Cable/Conduit Fixing Plate with suitable gland (20mm dia.) incorporating cable restraint.
3. Prepare cables as per Diagram 3. Coil individual surplus cables inside module.
4. Insert conductors (Live, Neutral, Earth) into marked terminals and fully tighten. See Diagram 1.
5. If an external earth bond is required, fix to external earth bond terminal.
6. Replace Terminal Cover, insert and tighten Fixing Screws. Make sure front edge and lugs are clipped under Main Body.
Note: Terminals are marked L, N, \perp for standard supply and L1, N1, E1 for clean supply.

Changing the Fuse



Rotasoc 16A Infeed Module:-

1. Isolate power from mains.
2. Pull fuse carrier up by using tabs either side of the fuse carrier.
3. With a suitable tool, remove fuse by using slot in the back of the fuse carrier.
4. Fit a max 6.3A (5 x 20mm) replacement fuse (ref: IEC60127) into the bottom of the fuse carrier.
5. Push fuse carrier down until closed.
Note: Extra space has been allowed in the top of the fuse carrier for a spare fuse.

Rotasoc Protection Module:-

1. Isolate power from mains.
2. Insert suitable screw driver in slot on top of the fuse carrier.
3. Fully unscrew by turning anti-clockwise until fuse is released.
4. Pull Fuse Carrier clear of the module.
5. Fit replacement BS1362 (1" x 1/4") fuse to specified rating and reverse procedure above.

Rotasoc Socket Module:-

1. Isolate power from mains.
2. Insert suitable screw driver in slot on top of the fuse carrier in centre of the socket.
3. Rotate the fuse holder 1/4 turn anti-clockwise.
4. Pull fuse carrier up until fully extended.
5. Remove fuse.
6. Fit replacement 5A maximum (5 x 20mm) fuse (ref: IEC60127) to specified rating and reverse procedure above

16A Rewirable Infeed

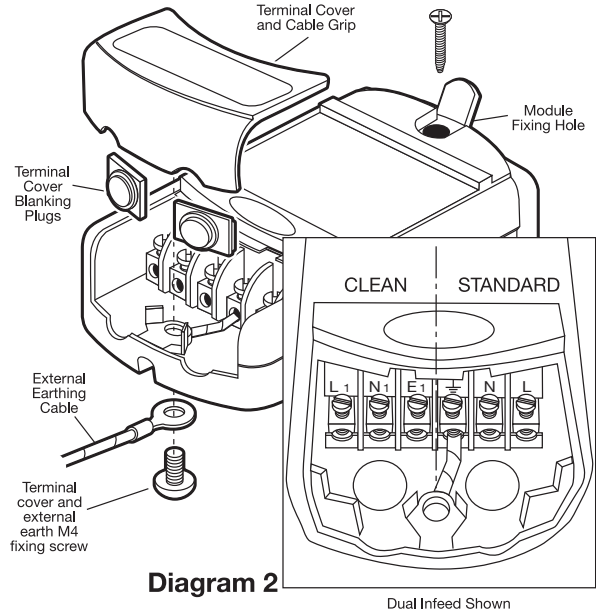
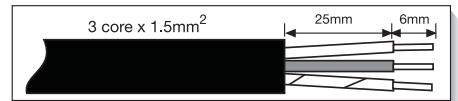


Diagram 4



To wire 16A module:-

1. Remove terminal cover by loosening M4 fixing screw located underneath the Infeed Module.
2. Strip flex (3 core x 1.5mm² only). See Diagram 4.
3. Remove Terminal Cover blank plug.
4. Insert conductors (Live, Neutral, Earth) into marked terminals and fully tighten. See Diagram 2.
5. Insert flex into location groove on the inside base of the module in line with terminals.
6. Locate blanking plug in base of unused cable entry and replace Terminal Cover.
7. Insert and tighten M4 Fixing Screw to grip cable and to close lid.
8. Knockouts are provided in the base for rear cable entry they require expanding cable clamps.
Note: Terminals are marked L, N, \perp for standard supply and L1, N1, E1 for clean supply.